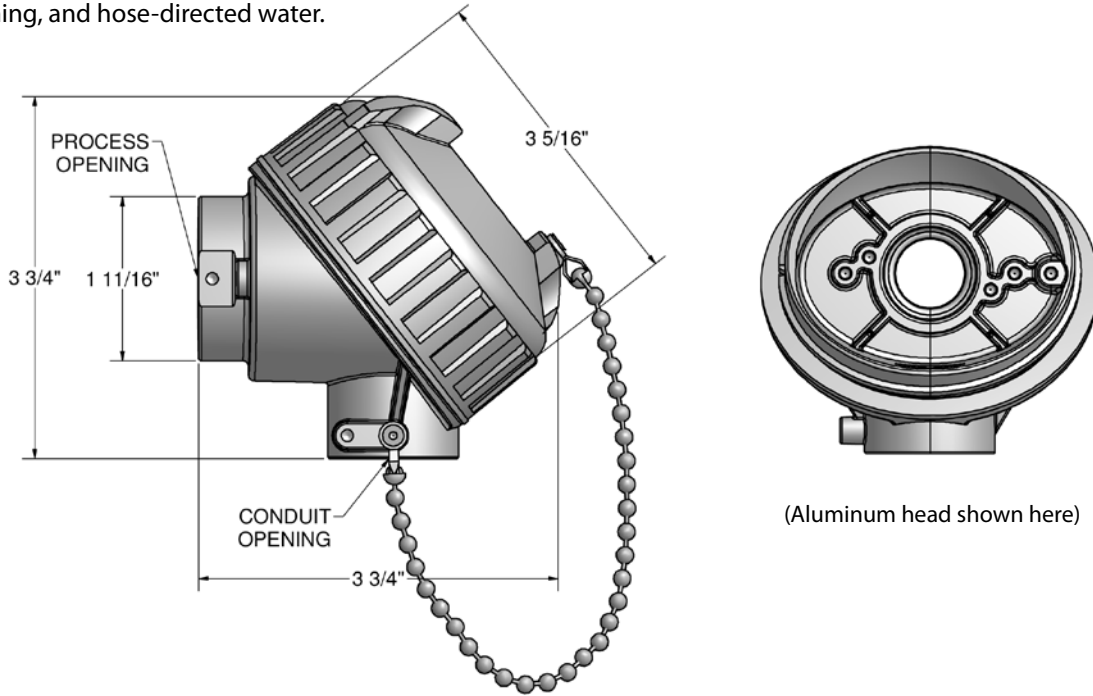


Innovative General Purpose Connection Heads



Pyromation's new general purpose connection heads have been re-designed with enlarged internal volume, in addition to other enhancements that make temperature sensor installation and maintenance much easier. The new screw-cover, general purpose connection heads are available in polypropylene, aluminum, stainless steel and cast iron. All parts are cast, molded, machined and assembled in the USA. Aluminum flip-top and miniature nickel-plated steel connection heads are also available.

Pyromation responded to customer feedback by building a better general purpose connection head. Internal volume was increased by an average of 100 percent, and the terminal platform was elevated to provide easy access to the block terminals for extension wire attachment and sensor installation. The conduit opening remains clear allowing open entry for field wiring. The conduit opening also incorporates a safety stop which prevents the conduit from penetrating the head's internal space if it is over-tightened. All general purpose heads meet NEMA requirements for indoor and outdoor use, providing protection against dust, rain, splashing, and hose-directed water.



TYPE	% INTERNAL VOLUME INCREASE	INDUSTRY REQUIREMENTS	GASKET MATERIAL	TEMP. RATING
Polypropylene	114 %	Tested to meet NEMA 4X Washdown and Corrosion Requirements, FDA Compliant	Buna N O-ring	250 °F
Aluminum	63 %	NEMA 4X, IP66 Rated	Graphite*	825 °F
316 Stainless Steel	129 %	NEMA 4X, IP66 Rated, FDA Compliant	Graphite*	825 °F
Cast Iron	93 %	NEMA 4X, IP66 Rated	Graphite*	825 °F

*These heads are available with optional Buna N O-ring — Max. temp. rating changes to 250 °F

New General Purpose Connection Head Improvements

- Heads accept Pyromation 300 series terminal blocks and 400 series transmitters
- Heads accept DIN Form B terminal blocks and transmitters
- 6/32 and M4 block mounting screw holes come standard on each head
- Easy one-turn cap prevents cross-threading and reduces installation and maintenance time
- Additional gripping ribs make caps easy to grasp, provides better leverage to turn
- Stainless steel cap connection chain is a convenient 8 1/2 inches long
- Elevated terminal block platform for easy access
- Positive conduit stop prevents over-tightening and damage during installation of conduit
- Enhanced internal ground screw location
- Gasket or O-ring is secure on connection head body and will not fall off during installation
- Optional external process set screw
- Private label capabilities available

These new connection heads are currently in inventory and available for orders. Please contact your salesperson with any questions, or to place an order. Visit www.pyromation.com for more information on general purpose and hazardous location connection heads.



5211 Industrial Road, Fort Wayne, IN 46825 USA

Phone: (260) 484-2580 • Fax: (800) 837-6805 or (260) 482-6805

www.pyromation.com