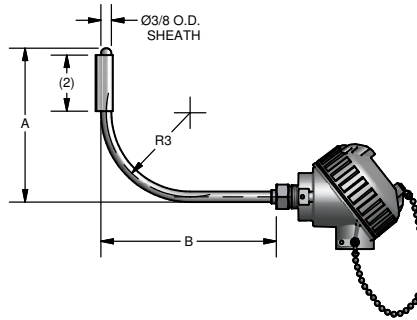


The replaceable element Heat-Tracing RTD assemblies are made for use in systems that measure the surface temperature of process pipe that is carrying products whose temperatures must be controlled to prevent freeze-up, or to maintain a viscosity level so that the inner medium will flow. The RHT assembly allows the sensing element to be easily removed and replaced without removing insulation, or disassembling the sensor from the piping system. These RTDs are offered in two of temperature ranges and are supplied with a 316SS sheath and a 3/4" radius stainless steel mounting pad.



ORDER CODES

Example Order Number: **RBF185M** **68** **3** - **RHT** - **05(1/2)06** - **18RD** - **31**

1-1 Pt100 ($\alpha = 0.00385 \text{ } ^\circ\text{C}^{-1}$) RTD Assemblies

CODE		TOLERANCE	TEMPERATURE RANGE
SINGLE	DUPLEX		
RBF185L	RBF285L	Class B	(-50 to 200°C)
RBF185M	N/A	Class B	(-50 to 450°C)
RAF185L	RAF285L	Class A	(-50 to 200°C)
RAF185M	N/A	Class A	(-50 to 450°C)

1-2 Sheath

CODE	DIAMETER (Inches)	MATERIAL
68	3/8"	316

1-3 Element Connection

CODE	DESCRIPTION
2	2 wire
3	3 wire
4	4 wire

2 Sheath Style

CODE	DESCRIPTION
RHT	Replaceable element

3 Sheath Length

CODE	
Specify 2 digit hot leg and 2 digit cold leg in inches	
Hot Leg "A" Dimension ^[1]	Cold Leg "B" Dimension ^[1]
05(1/2)	06
[1] 5(1/2) inch minimum hot leg and 6 inch minimum cold leg for RHT assembly	

5 Head Terminations

CODE	DESCRIPTION
31	Aluminum screw-cover head
34	Cast Iron screw-cover head
35T-642A	(4-20) mA HART® Field transmitter with general-purpose aluminum housing
36T82-D10	(4 to 20) mA dual input HART® transmitter with digital display and general-purpose aluminum housing with glass lid
37T-662A	(4 to 20) mA HART® Field Transmitter with general-purpose aluminum housing
49	Flip-top Aluminum head
63	White Polypropylene screw-cover head
75T-642C	(4 to 20) mA HART® field transmitter with aluminum explosion-proof housing, Group A
76T82-D10	(4 to 20) mA dual input HART® Field Transmitter with digital display and explosion-proof aluminum housing, Group A
77T82-D10	(4 to 20) mA HART® Field Transmitter with dual cavity explosion-proof aluminum housing, Group A
91	316L stainless steel screw-cover head
93	Aluminum explosion-proof/flame-proof head, NEC, IEC, Atex approved
94	316L stainless steel explosion-proof/flame-proof head, NEC, IEC, Atex approved

Options

D-2	Class I Div. 2 Rating for option 31, 34, 91
I	Stainless Steel Tag
SB	Steel conduit reducer bushing
NB	Nylon conduit reducer bushing
T-440	(4 to 20) mA head-mounted RTD transmitter
T-441	(4 to 20) mA isolated head-mounted transmitter
T-442	(4 to 20) mA isolated HART® head-mounted transmitter
T82-00	(4 to 20) mA isolated HART® dual Input head-mounted transmitter

4 Radius Mounting Pad

CODE	DESCRIPTION
18RD	1 inch wide x 2 inch long 18 Ga 304 stainless steel mounting pad with a 3/4 inch radius. Can be formed to fit pipe sizes from 1 inch NPT to 12 inch NPT