

DIESEL ENGINE THERMOCOUPLES



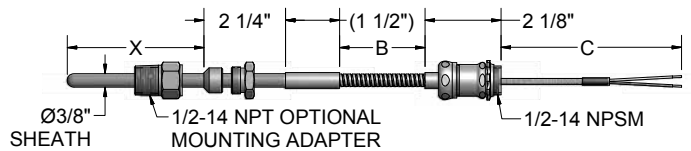
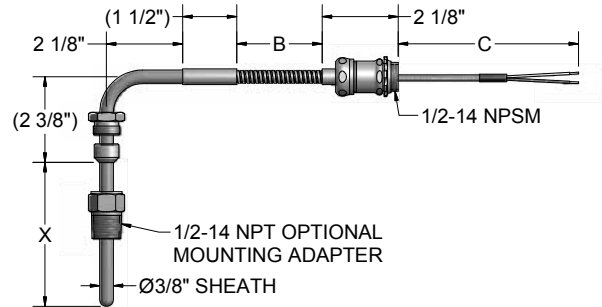
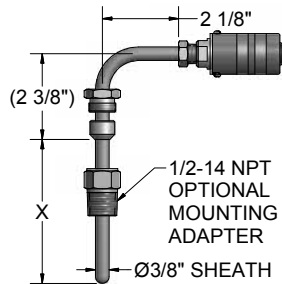
Besides oil pressure, exhaust gas temperature (EGT) is the most critical diesel engine condition requiring measurement. A well-designed thermocouple is needed to capture accurate temperature measurements from the pulses of cylinder exhaust gas. Pyromation's line of

diesel engine thermocouples are designed and built to provide analysts with accurate EGT measurements and quick response times. Their heavy-duty construction allows them to withstand the harsh temperature, vibration and oxidation conditions encountered in vehicles, commercial and construction machinery, locomotives, power generators, compressors, marine equipment and other industrial applications. These thermocouples are made to be conveniently detachable for easy removal or replacement. Pyromation makes a variety of thermocouple constructions to meet almost any EGT measurement requirement.

DIESEL ENGINE THERMOCOUPLES

Configuration Code DE01 Thermocouple Assemblies with Optional Fittings

These sensors are the most common of the diesel engine sensor family. Construction features include heavily-protected leads, a 3/8" O.D. 316 stainless steel sheath, bend options, protective conduit extensions and a variety of termination options.



Example Order Number:

J68 DA U - 06 - 20C - F1BA048-012 - 2

1-0 THERMOCOUPLE TYPES

CODE	THERMOCOUPLE TYPE	SHEATH DIAMETER	SHEATH MATERIAL
J68	Single Type J	3/8 Inch	316 SS
K68	Single Type K	3/8 Inch	316 SS
JJ68	Duplex Type J	3/8 Inch	316 SS
KK68	Duplex Type K	3/8 Inch	316 SS

1-1 ASSEMBLY STYLES

CODE	DESCRIPTION
DA	Diesel Engine 90° Bend
DS	Diesel Engine Straight

1-2 JUNCTION STYLES

CODE	DESCRIPTION
G	Grounded junction
U	Ungrounded junction

2-0 "X" DIMENSIONS

Specify 2 digit "X" dimension length in inches

3-0 SHEATH MOUNTING FITTING

CODE	DESCRIPTION
00	No fitting
20C	1/2" NPT 316 stainless steel mounting adaptor

5-0 TERMINATIONS AND OPTIONS

CODE	DESCRIPTION
0	Leads not stripped
2	2" split leads, 1/4" stripped
3	2" split leads with spade lugs

4-0 EXTENSION LEADWIRE "B" AND "C" DIMENSIONS^[1]

CODE	DESCRIPTION
F1BA	Fiberglass insulation - Solid conductor - Stainless steel overbraid - Flexible armor
T1BA	Teflon [®] insulation - Solid conductor - Stainless steel overbraid - Flexible armor

[1] Insert wire code number and 3 digit "B" length code. For assemblies requiring leadwire beyond the flexible armor, insert 3 digit "C" length after the armor "B" length code.

4-1 CONNECTION HEAD

CODE	DESCRIPTION
8HPB25	Miniature nickel-plated head secured to sheath with a 1/4 inch NPT 316 stainless steel bushing

Teflon[®] is a registered trademark of E.I. duPont de Nemours and Company.



5211 Industrial Road, Fort Wayne, IN 46825 USA

Phone: (260) 484-2580 • Fax: (800) 837-6805 or (260) 482-6805

www.pyromation.com