

# IECEX ATEX Ex Component Enclosure

## Protection: Ex Enclosure



DEKRA 23 ATEX0040 U  
IECEX DEK 23.0035U  
II 2 GD  
Ex db IIC Gb  
Ex tb IIIC Db  
Ta: -50 to +90°C  
IP66



**WARNING: POTENTIAL ELECTROSTATIC CHARGING HAZARD**

### Safety Instructions:

- Comply with the installation and safety instructions in the Operating Instructions.
- Install the device according to the manufacturer's instructions and any other valid standards and regulations (e.g. EN/IEC 60079-14).
- The connection head must be connected to the potential matching line.
- For connection through a conduit entry approved for this purpose the associated sealing facility shall be mounted directly to the housing.
- Seal unused entry glands with approved sealing plugs that correspond to the type of protection.
- For operating the connection head at an ambient temperature under -20 °C, appropriate cables and cable entries permitted for this application must be used.
- For ambient temperatures higher than +70 °C, use suitable heat resisting cables or wires.
- During operation, the cover must be screwed all the way in and the cover's safety catch must be fastened.
- Close unused entry glands with sealing plugs.
- Surface treatment of the cylindrical joint and threaded joint is not permitted.
- The cover has at least 9 engaged threads. The cylindrical process connection joint has a minimal length of 13.9 mm in which the maximum gap of 0.10 mm must be kept.
- The flameproof joints are not intended to be repaired.
- Built-in electronics shouldn't exceed measurements of 24.1 mm x 44 mm or 44 mm x 44 mm.
- The housing has been tested with 5 thread pitches in the cover.
- The service temperature limit of the display glass is +100 °C, for the O rings +135 °C.
- Keep enclosure cover closed tightly and safety lock engaged when circuits are powered and an explosive atmosphere is present. Enclosure required 3mm hexagonal wrench to engage safety lock.

### Safety Instructions: Flameproof protection

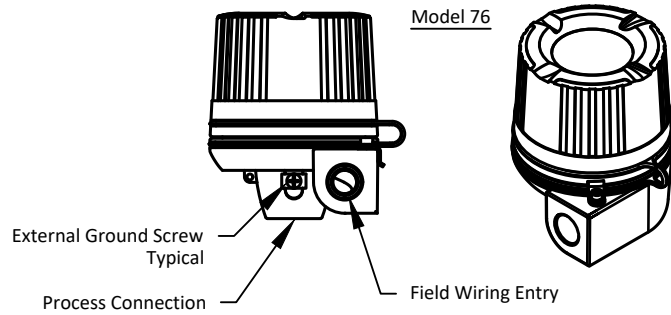
- Only the approved wire entries as specified in paragraph 10.3 of EN/IEC 60079-14, paragraph 16 of EN/IEC 60079-0, paragraph 13 of IEC 60079-1 must be used.
- Use for integral temperature sensors only approved sensors certified for category 1G or 2G marked not less than II1/2G Ex d IIC T6...T4 Ga/Gb or II2G Ex d IIC T6...T4 Gb for use in Zone 0 resp. Zone 1.

### Safety Instructions: Dust ignition protection

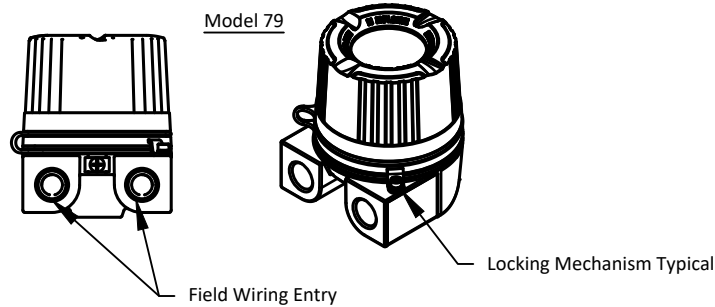
- Seal the cable entries tight with certified cable glands (min. IP6X) IP6X according to EN/IEC 60529.
- Use for integral temperature sensors only approved sensors certified for category 1D or 2D marked not less than II1/2D Ex ta/Ex tb IIIC Da/Db or II2D Ex tb IIIC Db for use in Zone 20 or Zone 21.

### Schedule of Limitations:

- The ambient temperature range shall be selected as shown in certificate or table in manual.
- The IP grade at the opening for the sensor in the base of the connection head or in the adapter shall be ensured by suitable means.
- The cover has 9 engaged threads but has been tested with 5 threads.
- Oil-filled circuit-breakers and contactors shall not be used.
- The connection heads are tested with dummy contents that represent typical round transmitters and terminal blocks with a main diameter of max. 45 mm. The use of enclosed apparatus of another shape and a larger main diameter is not covered by this certificate.
- The device must be installed so, that even in the event of rare incidents, an ignition source due to impact or friction between the housing and iron/steel is excluded
- When installing and commissioning the unit make sure that an electrostatic charge of the housing is avoided.



Model 76



Model 79

## Entry Threads

Model	Process Connection	Field Wiring Entry
76	(1) 1/2 NPT	(1) 3/4 NPT
79	N/A	(2) 1/2 NPT

<b>TITLE:</b> INSTALL DRAWING DEKRA, Ex db / tb, 76 / 79 ENCLOSURE		<b>PART NUMBER:</b>		<b>REVISION DATE:</b> 01/24/2023	
This document is PROPRIETARY to Pyromation		<b>SIZE:</b> A	<b>DRAWING NO:</b> H092501	<b>REV:</b> —	<b>SCALE:</b> N/A



FORT WAYNE, INDIANA 260-484-2580