



US00D663275S

(12) **United States Design Patent**  
**Heisler, II**

(10) **Patent No.:** **US D663,275 S**  
(45) **Date of Patent:** **\*\* Jul. 10, 2012**

(54) **TERMINAL CONNECTOR HEAD**

(75) Inventor: **Allan F. Heisler, II**, Huntertown, IN (US)

(73) Assignee: **Pyromation, Inc.**, Fort Wayne, IN (US)

(\*\*) Term: **14 Years**

(21) Appl. No.: **29/387,951**

(22) Filed: **Mar. 22, 2011**

(51) **LOC (9) Cl.** ..... **13-03**

(52) **U.S. Cl.** ..... **D13/156**

(58) **Field of Classification Search** ..... D13/156,  
D13/133, 153, 154, 155, 184, 199; 174/59,  
174/61, 64, 66, 74 A, 82, 93, 535; 361/356;  
439/166, 217, 550, 709-722

See application file for complete search history.

(56) **References Cited**

**U.S. PATENT DOCUMENTS**

3,405,225	A	*	10/1968	McHugh, Jr.	174/535
D244,463	S	*	5/1977	Judd	D13/156
5,052,950	A	*	10/1991	Wilson	439/709
D484,459	S	*	12/2003	Grant et al.	D13/133
7,011,446	B2	*	3/2006	Park	374/208
D521,941	S	*	5/2006	Phung et al.	D13/156

**OTHER PUBLICATIONS**

Burns Engineering; Connection Heads; website page dated Dec. 8, 2010.  
International Metal Engineering Pte Ltd; Low Cost Aluminum Head; website page re. Model 1080KN, Date Unknown.  
Limatherm; Connection Head—type CE; catalog p. 110, Date Unknown.  
Limatherm; Connection Head—type DNAG; catalog p. 108, Date Unknown.

TCC/Thermocouple Components Corp.; Thermocouple Heads: Aluminum General Purpose; Jan. 2009.  
TCC/Thermocouple Components Corp.; Thermocouple Heads: Cast Iron; Jan. 2009.  
TCC/Thermocouple Components Corp.; Thermocouple Heads: Polypropylene & Nylon; Sep. 2010.  
FMT Products; for the Sensor Industry; Thermocouple Connection Heads—Terminal Blocks and Accessories; website pages dated Dec. 8, 2010; 2 pages; (2 pages).  
FMT Products; for the Sensor Industry; Thermocouple Connection Heads—Terminal Blocks and Accessories; 1400 Series—General Purpose Screw-Top; website pages dated Mar. 19, 2008.  
FMT Products; for the Sensor Industry; Thermocouple Connection Heads—Terminal Blocks and Accessories; 1500 Series—Cast Steel—Heavy Duty Screw-Top Head website pages dated Mar. 19, 2008.  
FMT Products; for the Sensor Industry; Thermocouple Connection Heads—Terminal Blocks and Accessories; 1800 Series—Stainless Steel—Corrosion-Resistant Head; website pages dated Mar. 19, 2008.

\* cited by examiner

*Primary Examiner* — Derrick Holland

(74) *Attorney, Agent, or Firm* — Barnes & Thornburg LLP

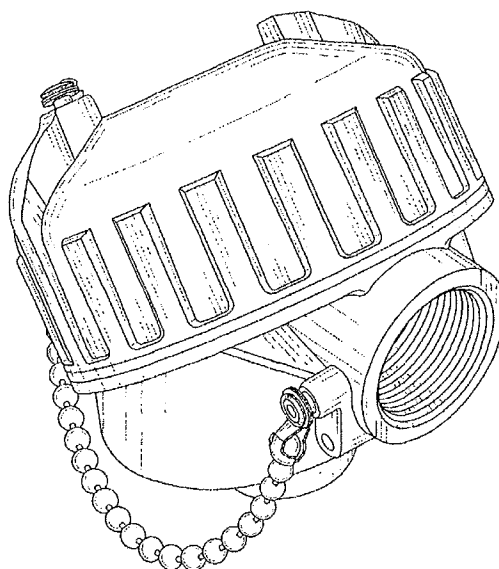
(57) **CLAIM**

The ornamental design for a terminal connector head, as shown and described.

**DESCRIPTION**

FIG. 1 is a perspective view of a terminal connector head in accordance with the present design.  
FIG. 2 is a front view thereof.  
FIG. 3 is a rear view thereof.  
FIG. 4 is a left side elevation view thereof.  
FIG. 5 is a right side elevation view thereof.  
FIG. 6 is a top view thereof; and,  
FIG. 7 is a bottom view thereof.

**1 Claim, 4 Drawing Sheets**



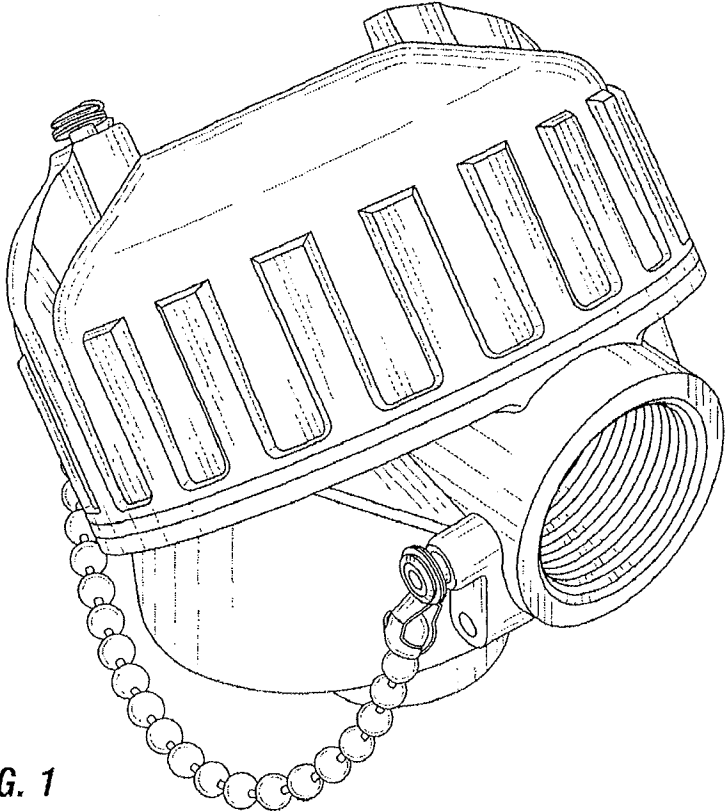


FIG. 1

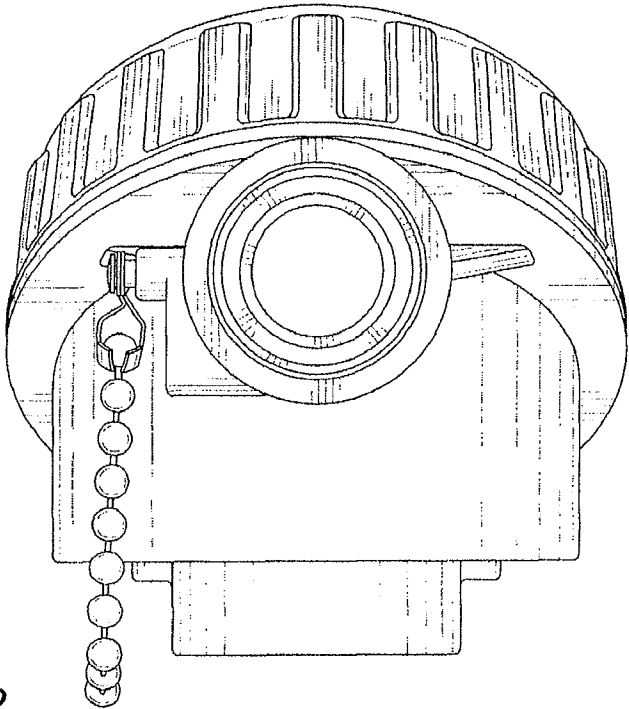


FIG. 2

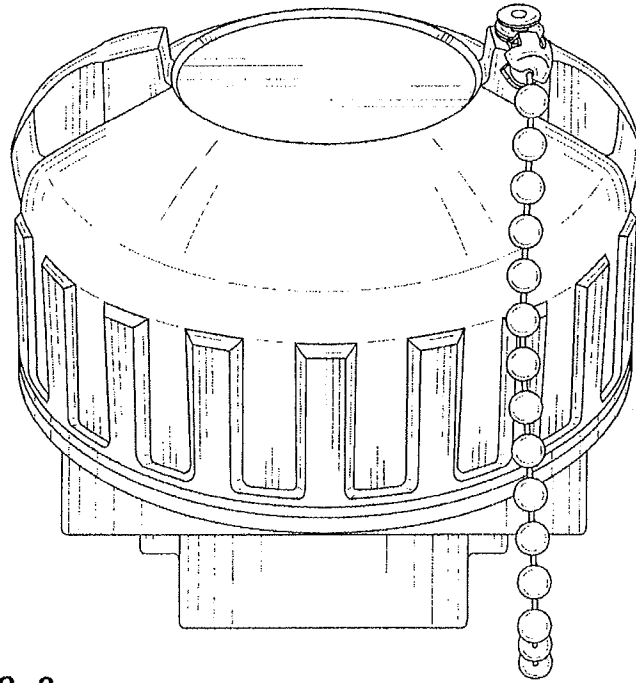


FIG. 3

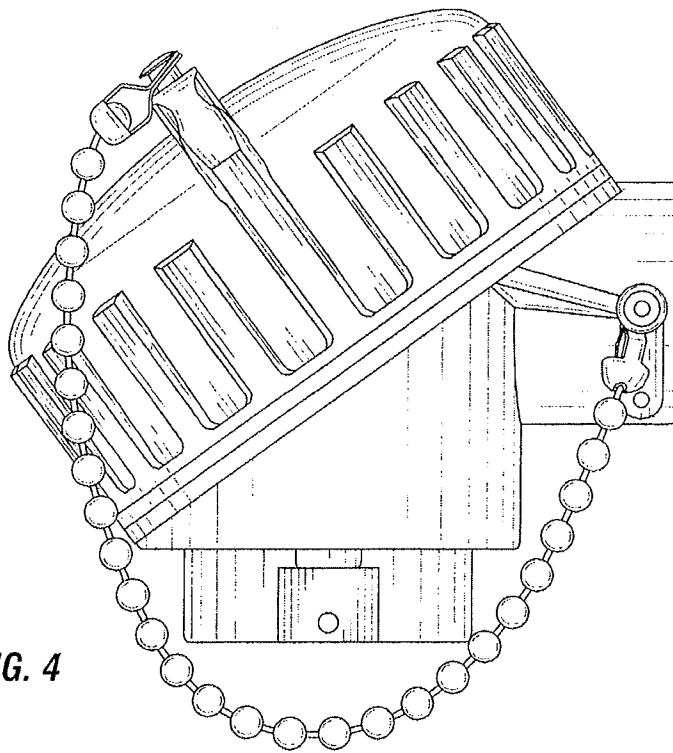


FIG. 4

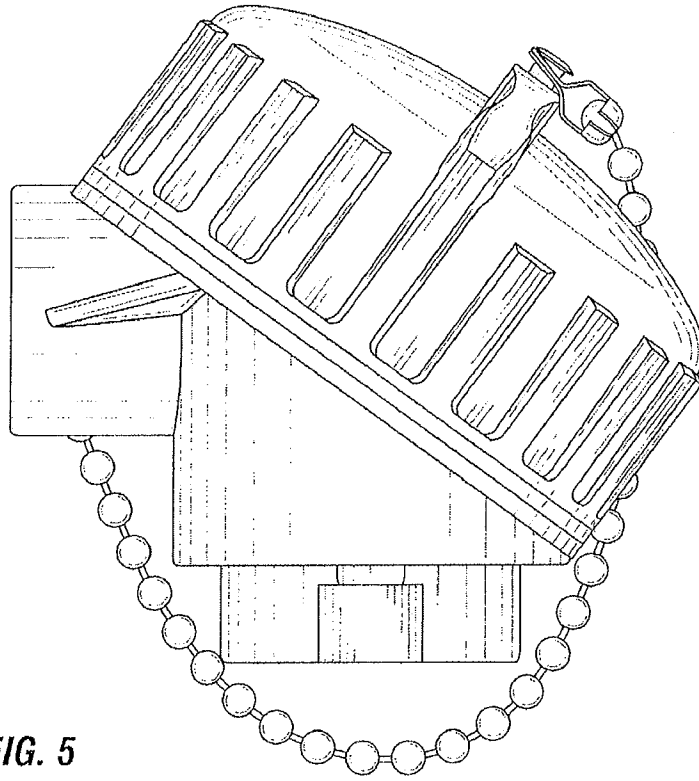


FIG. 5

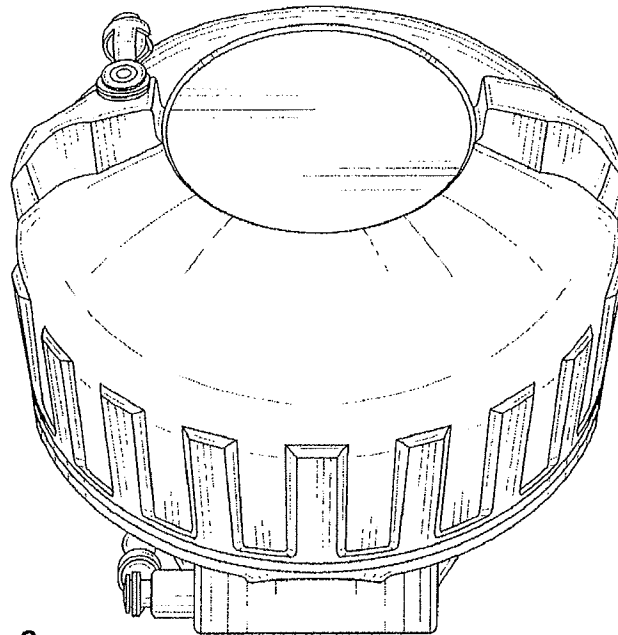
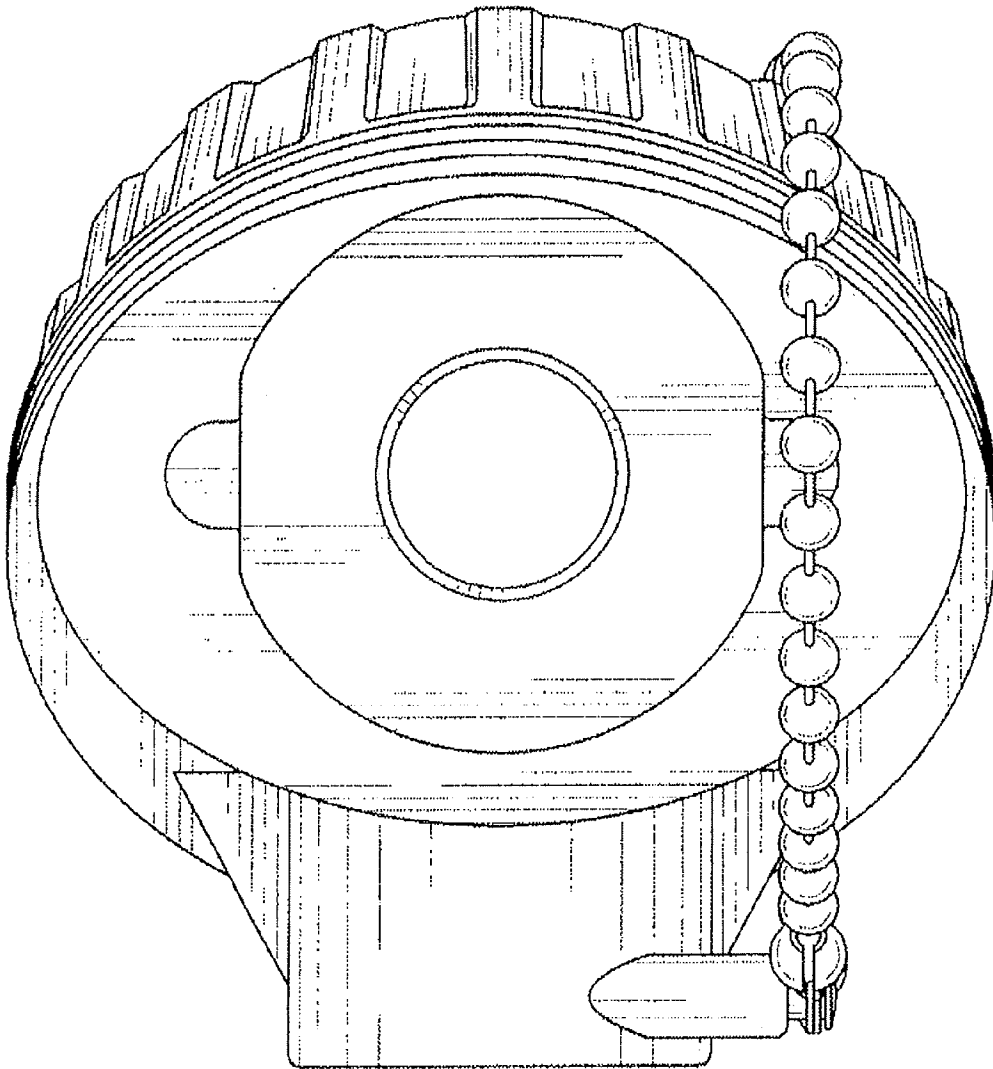


FIG. 6



**FIG. 7**