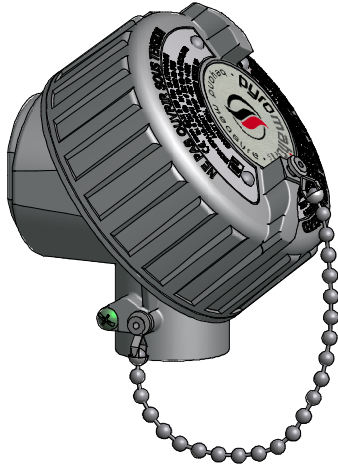
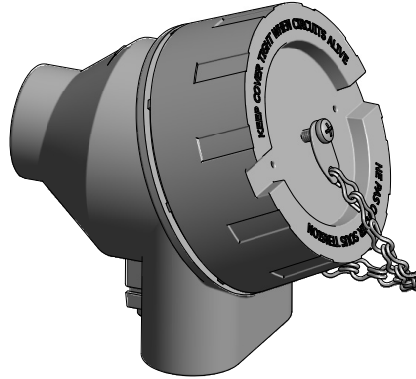


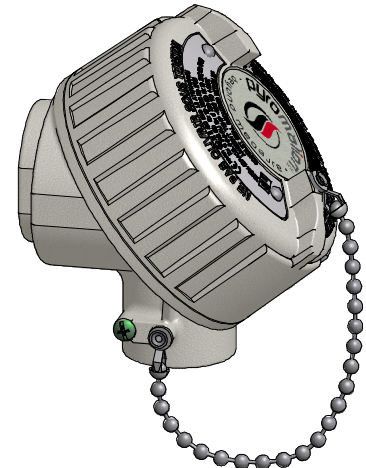
The explosion/flame proof connection heads shown below are designed for use in hazardous locations. Please refer to page AC-7 for descriptions, specifications and ratings for each head. See the "Overview of NEC Hazardous Location Classifications and Methods of Protection" table in the Explosion-Proof (XP) Sensors section of the Pyromation catalog for complete definitions of ratings.



**93 Series XP
Connection Heads**



**215807 Series XP
Connection Head**



**94 Series XP
Connection Heads**

ORDER CODES

Example Order Number:

1-1 1-2
93C - 341

1-1 Explosion/Flame-Proof Aluminum

ORDER CODE	DESCRIPTION		
	Process Opening	Conduit Opening	Standard Gasket
93C	1/2" NPT	3/4" NPT	Buna N O-ring
93D	3/4" NPT	3/4" NPT	Buna N O-ring

1-1 Explosion/Flame-Proof 316 Stainless Steel

ORDER CODE	DESCRIPTION		
	Process Opening	Conduit Opening	Standard Gasket
94C	1/2" NPT	3/4" NPT	Buna N O-ring
94D	3/4" NPT	3/4" NPT	Buna N O-ring

1-1 Explosion/Flame-Proof Aluminum DIN Style

ORDER CODE	DESCRIPTION		
	Process Opening	Conduit Opening	Standard Gasket
215807	1/2" NPT	3/4" NPT	Buna N O-ring

1-2 Ceramic Terminal Blocks^[1]

ORDER CODE	DESCRIPTION	CONDUCTOR SIZE
341	Single terminal block	Up to 8 AWG
342	Duplex terminal block	Up to 8 AWG
343-2	Triplex terminal block with 2 brass terminals	Up to 12 AWG
343-3	Triplex terminal block with 3 brass terminals	Up to 12 AWG
343-4	Triplex terminal block with 4 brass terminals	Up to 12 AWG
343-6	Triplex terminal block with 6 brass terminals	Up to 12 AWG

^[1] Not available with 215807 head.

1-2 DIN Form B Style Ceramic Terminal Blocks

ORDER CODE	DESCRIPTION	CONDUCTOR SIZE
210304	Duplex terminal block	Up to 16 AWG
210332	Triplex terminal block with 2 brass terminals	Up to 16 AWG
210333	Triplex terminal block with 3 brass terminals	Up to 16 AWG
210334	Triplex terminal block with 4 brass terminals	Up to 16 AWG
210336	Triplex terminal block with 6 brass terminals	Up to 16 AWG